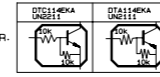


# Standard schematic diagrams

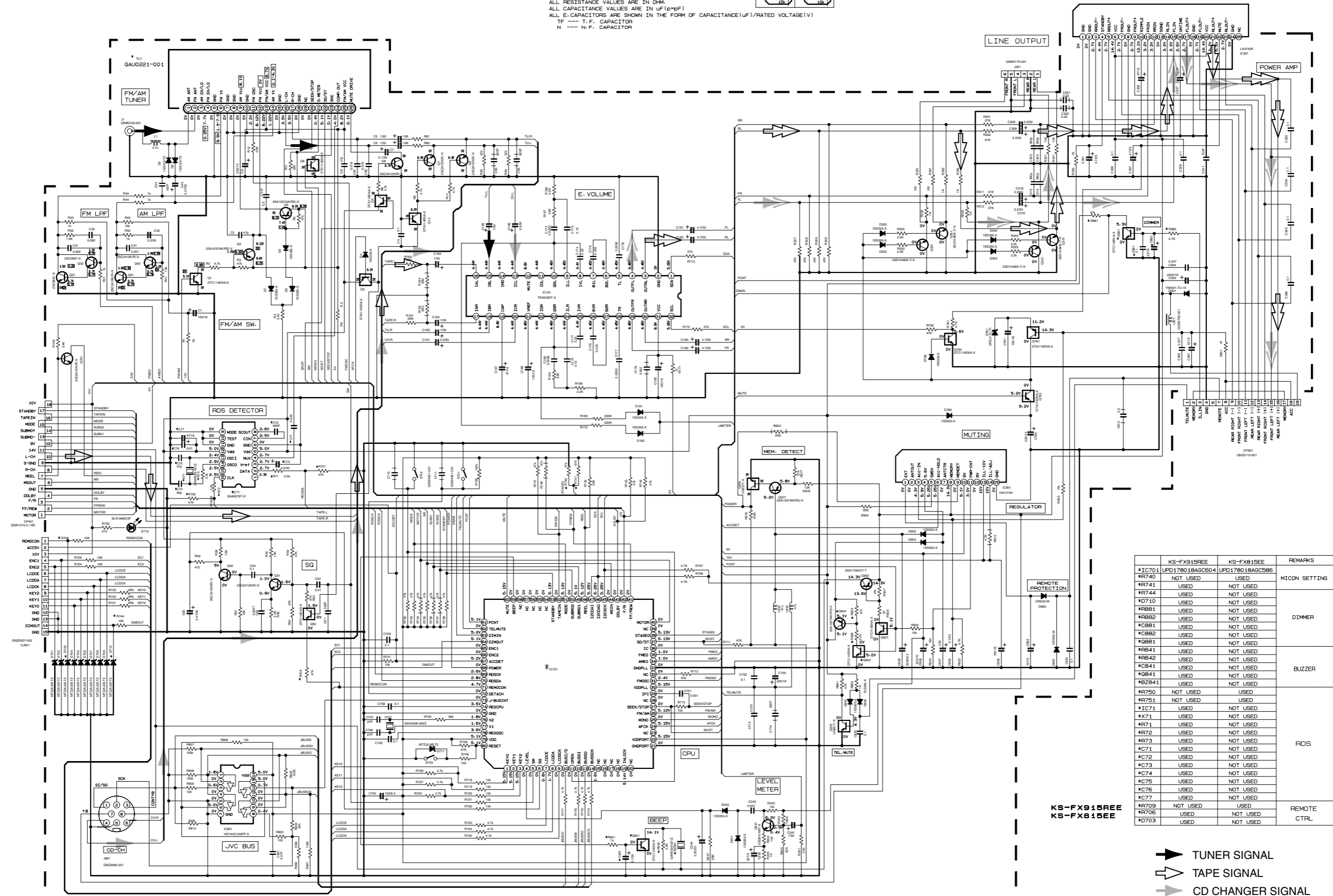
## ■ Main amp section

CONDITION—FM  
 CONDITION—FM MODE: AM MODE:

NOTES  
 1. VOLTAGES ARE DC-MEASURED WITH A DIGITAL VOLT METER WITHOUT INPUT SIGNAL.  
 2. UNLESS OTHERWISE SPECIFIED:  
 ALL RESISTORS ARE 1/4W OR 1/4W 15% METAL GLAZE RESISTOR.  
 ALL CAPACITORS ARE 50V OR 25V CERAMIC CAPACITOR.  
 ALL RESISTANCE VALUES ARE IN OHM.  
 ALL CAPACITANCE VALUES ARE IN uF (p=PF).  
 ALL C. CAPACITORS ARE SHOWN IN THE FORM OF CAPACITANCE (uF)/RATED VOLTAGE (V).  
 T.F. — T. F. CAPACITOR  
 N. — N. F. CAPACITOR



5  
4  
3  
2  
1



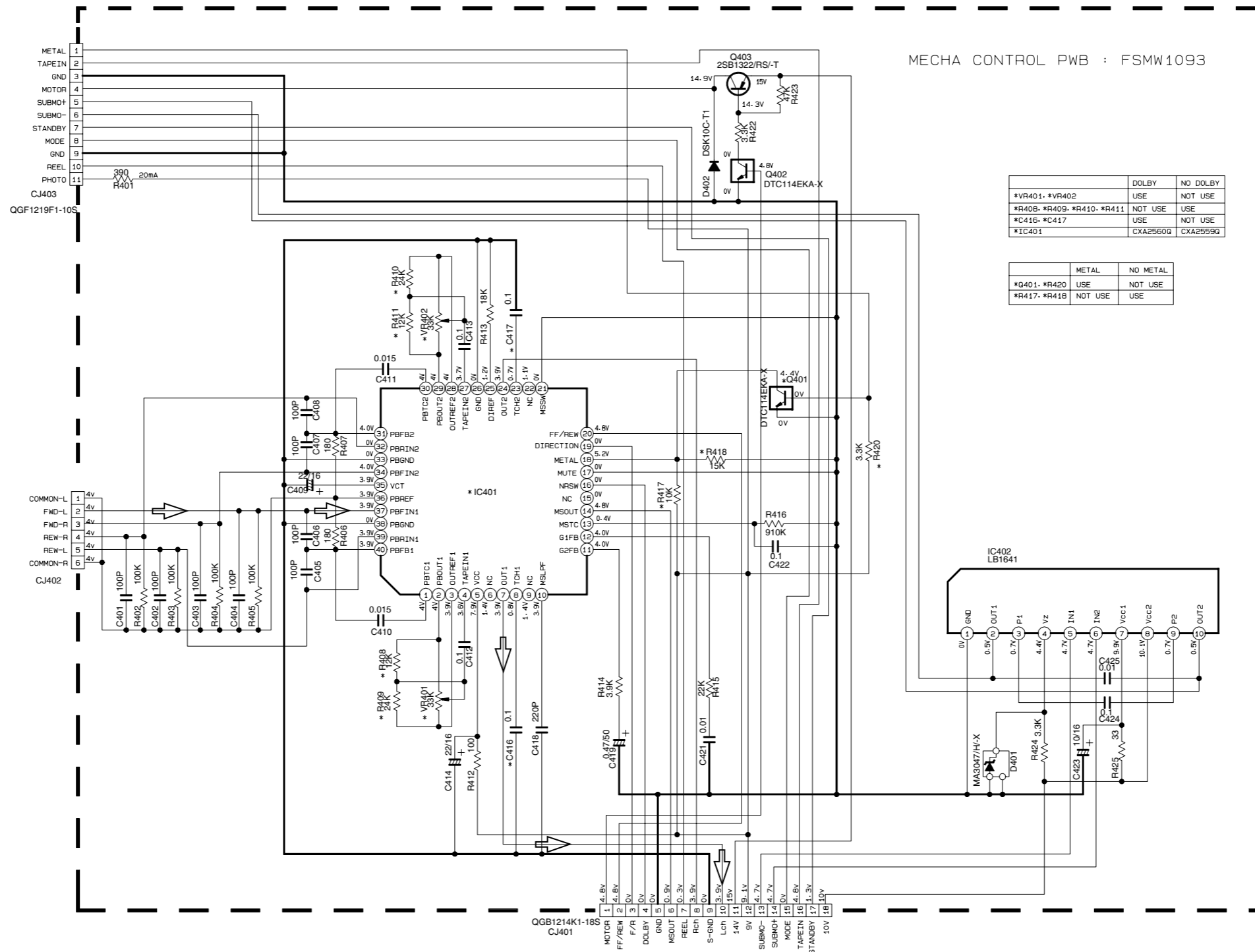
KS-FX915REE  
 KS-FX815EE

	KS-FX915REE	KS-FX815EE	REMARKS
*TC701	UPD17801BAGC604	UPD17801BAGC586	
*R740	NOT USED	USED	MICRON SETTING
*R741	USED	NOT USED	
*R744	USED	NOT USED	
*D710	USED	NOT USED	
*R8B1	USED	NOT USED	DIMMER
*R8B2	USED	NOT USED	
*C8B1	USED	NOT USED	
*C8B2	USED	NOT USED	
*R8B1	USED	NOT USED	
*R8B41	USED	NOT USED	BUZZER
*R8B42	USED	NOT USED	
*R8B41	USED	NOT USED	
*R8B41	USED	NOT USED	
*R8B41	USED	NOT USED	
*R750	NOT USED	USED	
*R751	NOT USED	USED	
*TC71	USED	NOT USED	
*X71	USED	NOT USED	
*R71	USED	NOT USED	
*R72	USED	NOT USED	
*R73	USED	NOT USED	RDS
*C71	USED	NOT USED	
*C72	USED	NOT USED	
*C73	USED	NOT USED	
*C74	USED	NOT USED	
*C75	USED	NOT USED	
*C76	USED	NOT USED	
*C77	USED	NOT USED	
*R709	NOT USED	USED	REMOTE CTRL.
*R706	USED	NOT USED	
*D703	USED	NOT USED	

- TUNER SIGNAL
- TAPE SIGNAL
- CD CHANGER SIGNAL
- FRONT SIGNAL
- REAR SIGNAL

KS-FX915R/KS-FX815

■ Mecha control section



NOTES

- VOLTAGES ARE DC-MEASURED WITH A DIGITAL VOLT METER WITHOUT INPUT SIGNAL. CONDITION-----TAPE MODE.
- UNLESS OTHERWISE SPECIFIED. ALL RESISTORS ARE 1/4W ±5% OR 1/10W ±5% METAL GLAZE RESISTOR. ALL CAPACITORS ARE 50V CERAMIC CAPACITOR. ALL RESISTANCE VALUES ARE IN OHM(Ω). ALL CAPACITANCE VALUES ARE IN \*F(P=pF). ALL E. CAPACITORS ARE SHOWN IN THE FORM OF CAPACITANCE(\*F)/RATED VOLTAGE(V)

TF-----TF CAPACITOR

KS-FX915REE  
KS-FX815EE

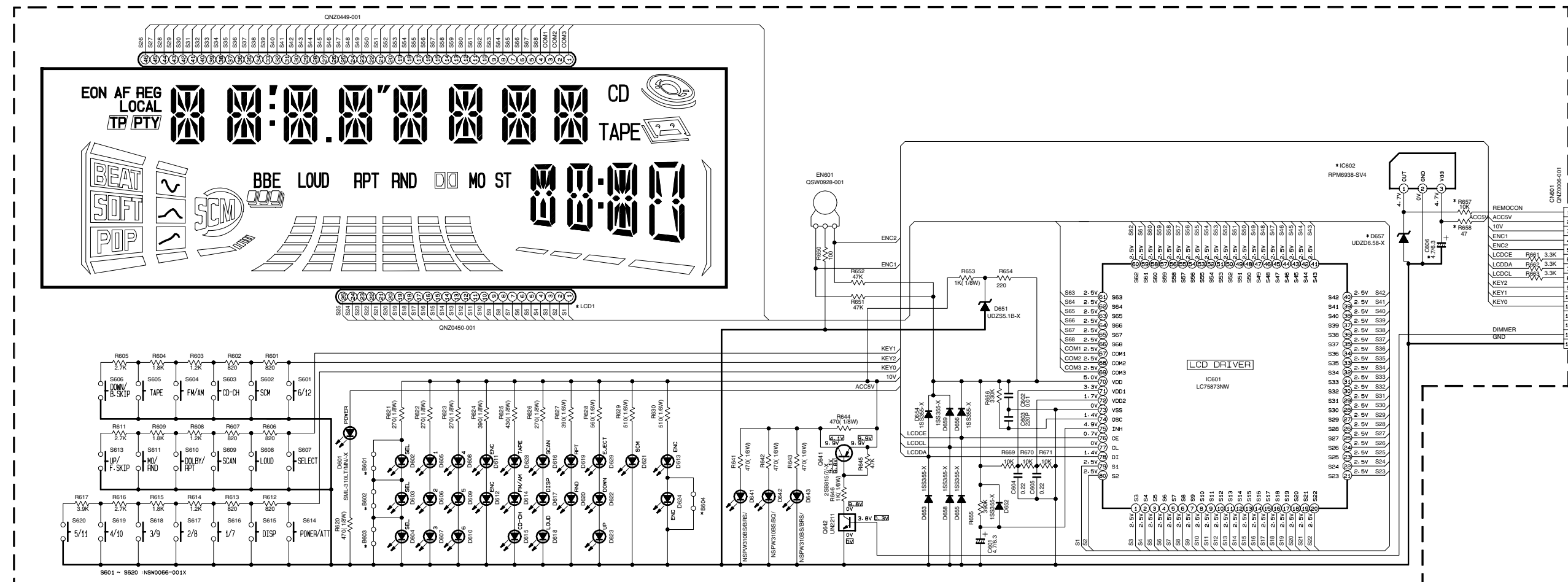
▶ TAPE SIGNAL

■ LCD & Key control section

	KS-FX915REE	KS-FX815EE
*LCD1	QLD0163-001	QLD0164-001
*D602, *D603, *D604, *D605, *D606 *D607, *D608, *D609, *D610, *D611 *D612, *D613, *D614, *D615, *D616 *D617, *D618, *D622, *D623	SML-310VT/JK/-X (RED)	LNJ308G81/1-3/X (GREEN)
*D624	NOT USED	NOT USED
*D621	LNJ308G81/1-3/X	SML-310VT/JK/-X
*D619, *D620	SML-310VT/JK/-X	LNJ308G81/1-3/X
*D641, *D643	NSPW310BS/BRS/	NSPW310BS/BRS/
*D642	NSPW310BS/BQ/	NSPW310BS/BQ/
*R645, *R646	USED	NOT USED
*Q641, *Q642	USED	NOT USED
*R641, *R642, *R643	470	1K
*R644	470	0R0
*IC602	USED	NOT USED
*D657	USED	NOT USED
*C606	USED	NOT USED
*R657, *R658	USED	NOT USED
*B601, *B602, *B603	NOT USED	NOT USED

INDONESIA SWITCH BOARD

KS-FX915REE	OPEN-SWPCB-13
KS-FX815EE	OPEN-SWPCB-11



KS-FX915REE  
KS-FX815EE

5

4

3

2

1